

Connection parts with nominal width DN 6

Valves, coupling valves, protection caps, fittings, adapters and connections for analytic instruments

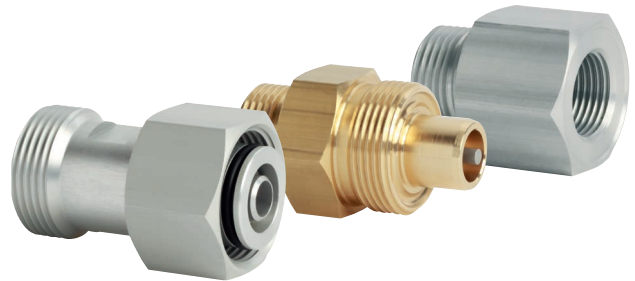
WIKA data sheet SP 61.12

Applications

- Handling at SF₆ gas tanks
- For indoor and outdoor equipment

Special features

- The valves can be disconnected or coupled under pressure or vacuum
- Vacuum and pressure-tight (-1 ... +64 bar)
- Working temperature -40 ... +80 °C
- Leak rate: GCV, GCA,
measuring chambers: $\leq 1 \cdot 10^{-8}$ mbar · l / s
GCG: $\leq 1 \cdot 10^{-5}$ mbar · l / s
- Tested helium tightness of 100 %



Connection parts with nominal width DN 6

Description

Safe and simple operation

WIKA's connection parts enables the secure storage and handling of environmentally hazardous SF₆ greenhouse gas in the equipment provided for this. The connecting parts have been precisely and specifically optimised for this application.

The ease of mounting and removal, as well as being 100 % tested for leak tightness, make these connecting parts safe and reliable interfaces for the filling and maintenance of the equipment.

Highest quality

In order to meet the high demands for quality, the robust design has passed extensive testing with actuation tests, tests in atmospheric conditions and shock tests. The connecting parts are manufactured from high-quality aluminium, brass and stainless steel. On request, the connecting parts can be supplied with a material certificate.

Comprehensive product range

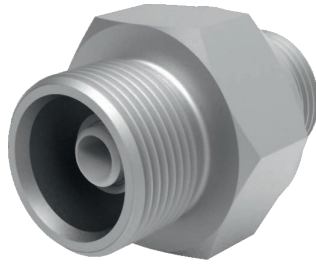
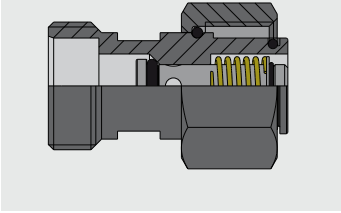
The product range for connection parts with nominal width DN 6 consists of self-closing valves, matching couplings and soldered and weld-in connections. For the connection of DN 6 to other nominal widths and connections, the appropriate adapters and components are available. A protection cap offers mechanical protection and additional sealing.

By using WIKA connection parts, the maintenance-free and reliable separation of SF₆ gas compartments from the environment is made possible. In this way, not only is the escape of SF₆ gas prevented, but also the ingress of moisture.

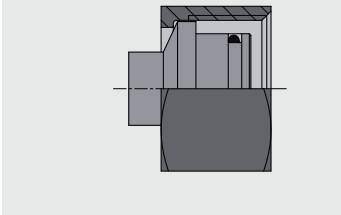
Valve, model GCV-06

Attachment parts, left (M24 x 1.5)

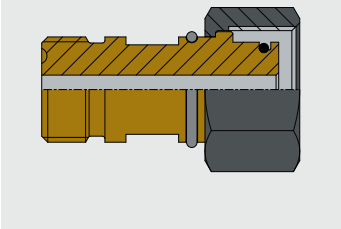
Coupling valve, model GCC-06
see page 3



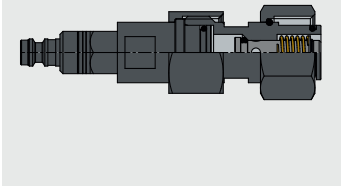
Fitting, model GCF-06
see page 6



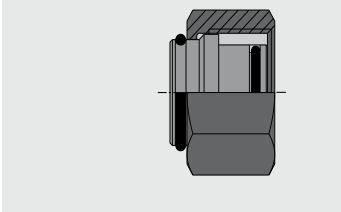
Adapter, model GCA-06
see page 5



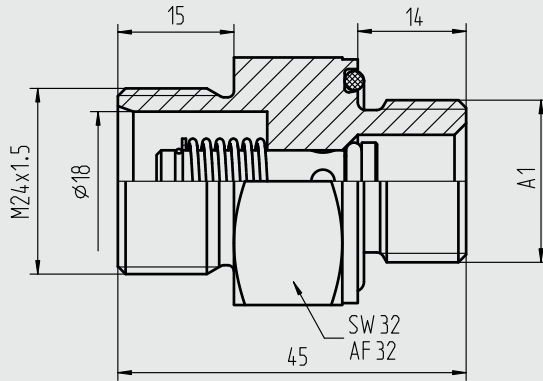
Connection for analytic instruments, model GCG-06
see page 4



Protection cap, model GCP-06
see page 6



Dimensions in mm



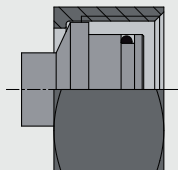
Thread A1	Material	Order no.
M20 x 1,5	Aluminium	13422502
G ½ B	Aluminium	13376498
G ½ B	Stainless steel	13360281

The O-ring is included.
Spare part: O-ring D23
Order no.: 14023883

Coupling valve, model GCC-06

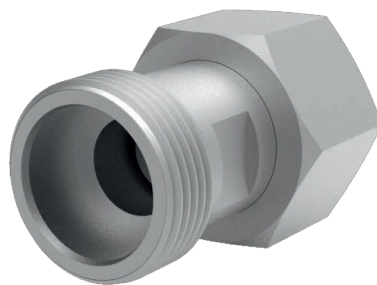
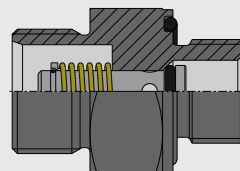
Attachment parts, left (M24 x 1.5)

Fitting, model GCF-06
see page 6

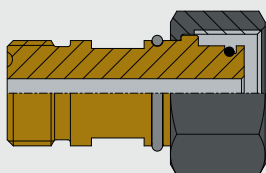


Attachment parts, right (M24 x 1.5)

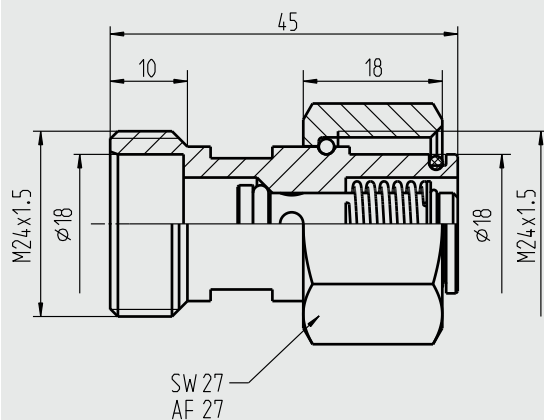
Valve, model GCV-06
see page 2



Adapter, model GCA-06
see page 4



Dimensions in mm



Material	Order no.
Aluminium	13376528

The O-ring is included.
Spare part: O-ring D14
Order no.: 14007857

Connection for analytic instruments, model GCG-06

Attachment parts, left

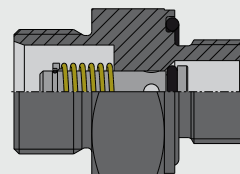
Quick couplings



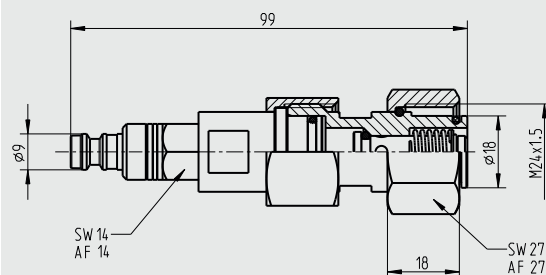
Attachment parts, right
(M24 x 1.5)



Valve, model GCV-06
see page 2



Dimensions in mm

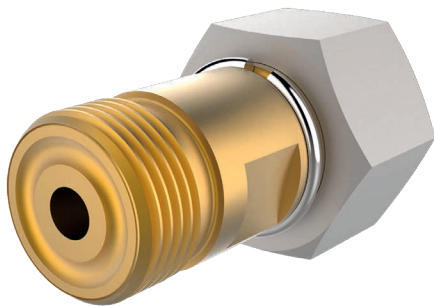


Material	Order no.
Aluminium, brass, stainless steel	14091750

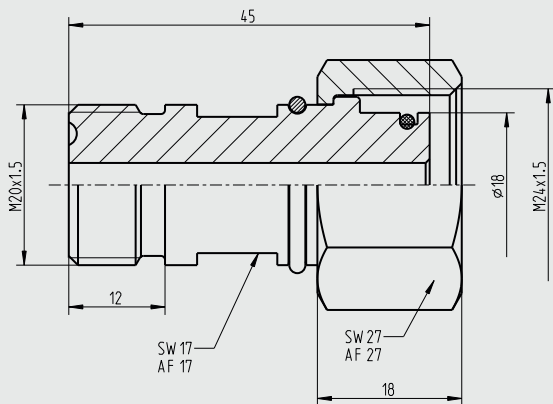
The O-ring is included.
Spare part: O-ring D14
Order no.: 14007857

Adapter, model GCA-06

Nominal width adapter
DN 6 to DN 8



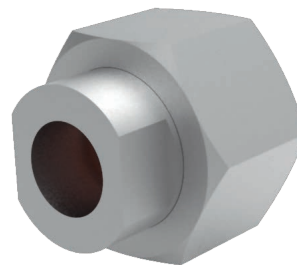
Dimensions in mm



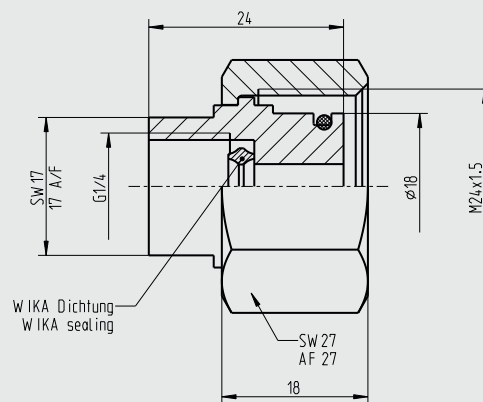
Material	Order no.
Brass, stainless steel	14091765

The O-ring is included.
Spare part: O-ring D14
Order no.: 14007857

Measuring instrument adapter
DN 6 to G 1/4



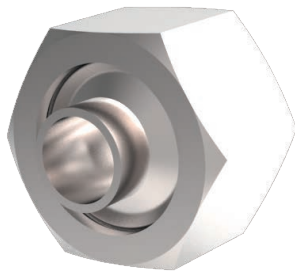
Dimensions in mm



Material	Order no.
Aluminium	13370643

The O-ring is included.
Spare part: O-ring D14
Order no.: 14007857

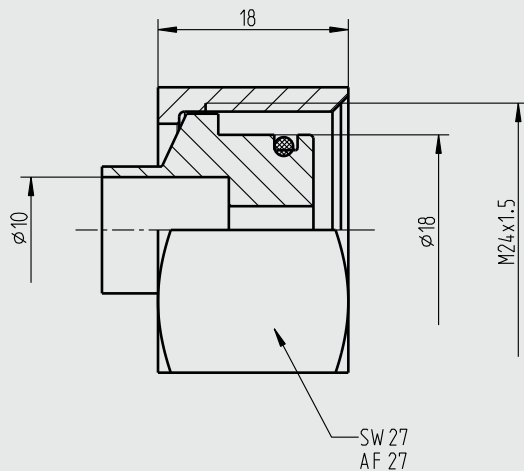
Fitting, model GCF-06



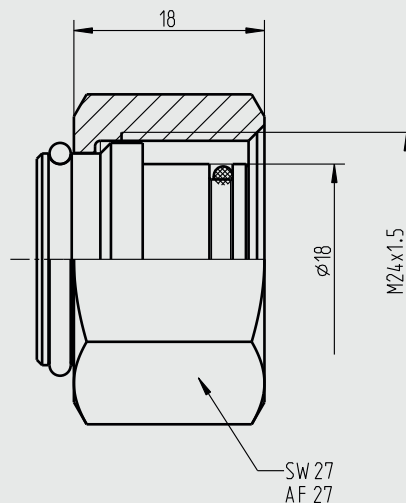
Protection cap, model GCP-06



Dimensions in mm



Dimensions in mm



Material	Order no.
Stainless steel	13428781

Material	Order no.
Aluminium	13376528

The O-ring is included.
Spare part: O-ring D14
Order no.: 14007857

The O-ring is included.
Spare part: O-ring D14
Order no.: 14007857

Ordering information

Specification of the model is sufficient for ordering.

© 04/2014 WIKA Alexander Wiegand SE & Co. KG, all rights reserved.
The specifications given in this document represent the state of engineering at the time of publishing.
We reserve the right to make modifications to the specifications and materials.

