

Miniature Bourdon tube pressure gauge

Back mount, standard version

Model 111.12.027

WIKA data sheet PM 01.17

Applications

- For gaseous and liquid media that are not highly viscous or crystallising and will not attack copper alloy parts
- Indication of cylinder charging pressure
- Respiratory protective equipment, sports weapons, welding engineering (compact equipment)
- Medical engineering

Special features

- Small and compact
- Ideal for integration solutions
- Nominal size 27
- Scale ranges up to 0 ... 400 bar

Description

Nominal size in mm

27

Accuracy class

4.0

Scale ranges

Low pressure: 0 ... 4 to 0 ... 25 bar
High pressure: 0 ... 100 to 0 ... 400 bar
or all other equivalent pressure ranges



Miniature pressure gauge model 111.12.027, low pressure, option copper alloy case, nickel-plated



Miniature pressure gauge model 111.12.027, high pressure

Pressure limitation

Steady: 3/4 x full scale value

Fluctuating: 2/3 x full scale value

Short time: Full scale value

Permissible temperature

Ambient: -20 ... +60 °C

Medium: +60 °C maximum

Temperature effect

When the temperature of the measuring system deviates from the reference temperature (+20 °C):
max. $\pm 0.4\%$ /10 K of the span

Standard version

Process connection

Copper alloy, centre back mount (CBM)
G 1/8 B (male), 27 mm flats

Pressure element

Copper alloy

Movement

Copper alloy

Dial

Plastic, white, with pointer stop pin, black lettering

Pointer

Plastic, black

Case

Copper alloy
(up to 25 bar measuring system with PA adapter)

Window

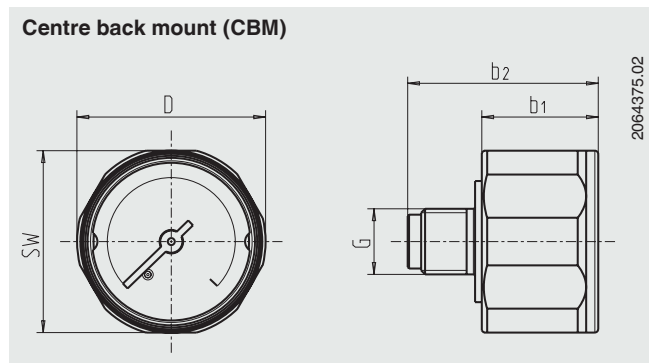
Plastic, crystal-clear, snap-fitted in case

Options

- Other process connection
- Case copper alloy, nickel-plated

Dimensions in mm

Standard version



| NS | Design | Dimensions in mm | | | G | SW | Weight in kg |
|----|---------------|------------------|-------------|----|---------|----|--------------|
| | | $b_1 \pm 0.5$ | $b_2 \pm 1$ | D | | | |
| 27 | Low pressure | 18.5 | 30.5 | 28 | G 1/8 B | 27 | 0.033 |
| 27 | High pressure | 17.5 | 28.5 | 28 | G 1/8 B | 27 | 0.033 |

Process connection per EN 837-1 / 7.3

Ordering information

Model / Nominal size / Indication range / Connection size / Options

© 09/2009 WIKA Alexander Wiegand SE & Co. KG, all rights reserved.
The specifications given in this document represent the state of engineering at the time of publishing.
We reserve the right to make modifications to the specifications and materials.



WIKAL Alexander Wiegand SE & Co. KG
Alexander-Wiegand-Straße 30
63911 Klingenberg/Germany
Tel. +49 9372 132-0
Fax +49 9372 132-406
info@wika.de
www.wika.de